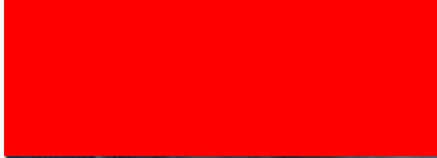
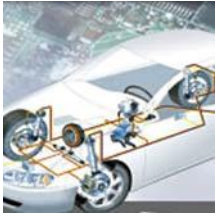


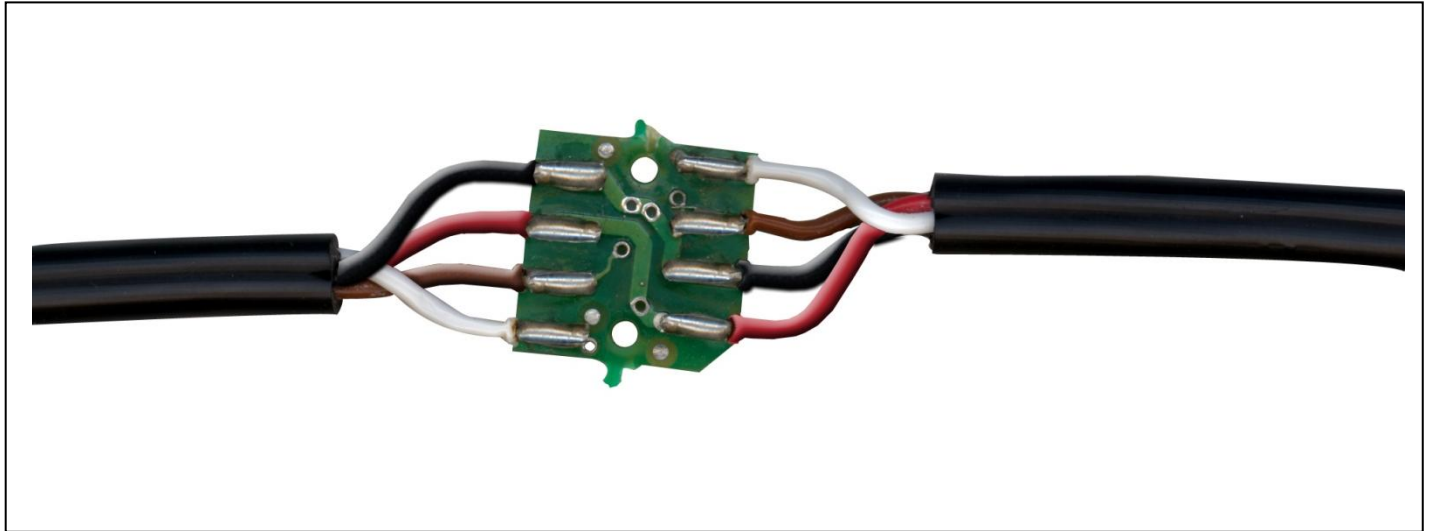
Smart Solder EXM 8000



AUTOMATIC (LED) SOLDERING



Soldering cord cable with 4 inner conductors and a 8 pos. Printed circuit



Manual insertion
and detection of
4 conductors + printed
circuit

4-conductor
stripping
Special-Strip US-2600

4 times Soldering
with individual
camera monitoring



Application Features

- Sequential soldering of 8th soldering pads
- Very short jacket break-out lengths

Machine Features

- Monitoring of the entire process
- High repeatability and full quality control
- A fully automated system
- Higher output than using individual machines
- Flexible and quick change-overs

AUTOMATIC (LED) SOLDERING



Soldering flat cable with 4 inner conductors and a 8 pos. Printed circuit



Manual insertion
and detection of
4 conductors + printed
circuit

4-conductor
stripping
Special-Strip US-2600

4 times Soldering
with individual
camera monitoring



Application Features

- Sequential soldering of 8th soldering pads
- Very short jacket break-out lengths

Machine Features

- Monitoring of the entire process
- High repeatability and full quality control
- A fully automated system
- Higher output than using individual machines
- Flexible and quick change-overs



SmartSolder EXM 8000

Benefit :

- High process reliability
- Repeatability
- Flexibility
- Higher productivity
- Lower costs



EXMORE

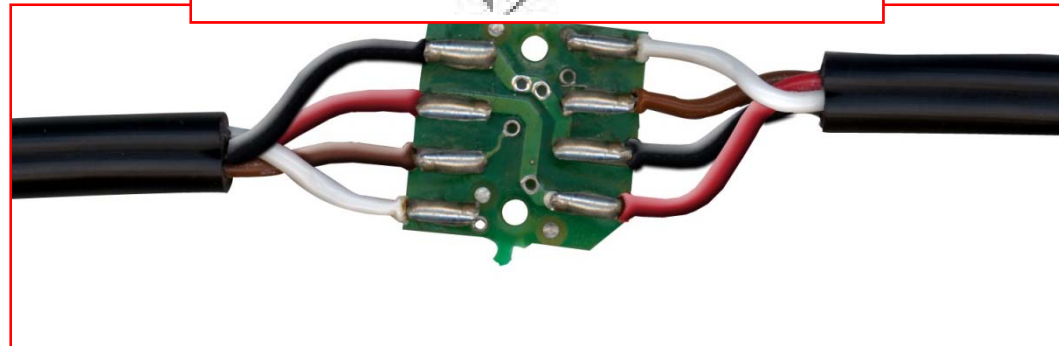
Making Industrial Standards Work



SmartSolder EXM 8000

Optional :

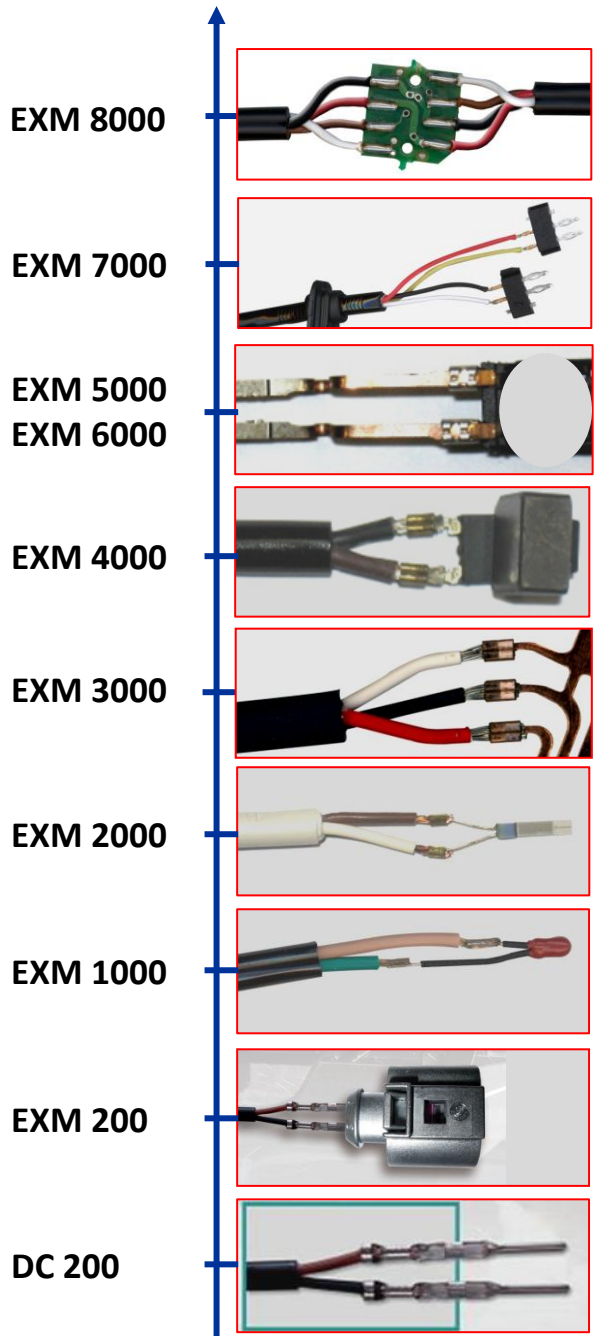
- With Cable Fixture
- With Turntable
- High process reliability
- Repeatability
- Flexibility
- Higher productivity
- Lower costs



EXMORE

Making Industrial Standards Work

Automation Level



→ Autom. Soldering

→ Autom. Res. Welding

→ Autom. Sensor Crimping

→ Sensor Double Crimping

→ Triple Splicing

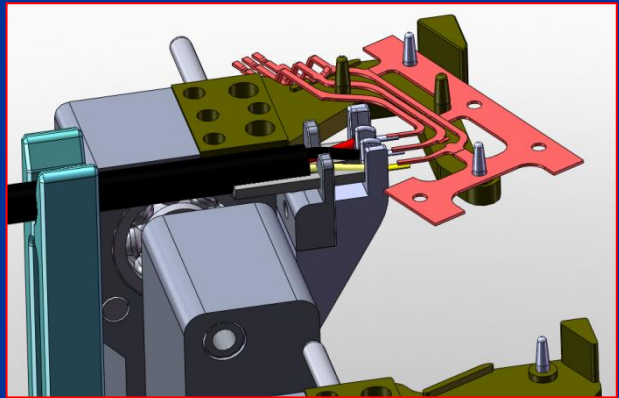
→ Double Splicing

→ Double welding

→ Block loading

→ Double crimping

- ✓ Pre-positioning wires
- ✓ Automatic stripping
- ✓ Automatic transport
- ✓ Quality control
- ✓ Connection Technologies
 - Crimping
 - Splicing
 - Resistance welding
 - Soldering
- ✓ Good-/bad sorting
- ✓ Traceability
- ✓ Data logging



EXM

Complexity of the Connection



Exmore Electric Connection Technologies



▪ **Contact: Luc Sneyders**

Managing Director

Steven Mertens

Project Manager

Bart Verhaegen

Sales Manager

Exmore group Belgium

Phone: +32 14 618 - 666

Fax: +32 14 618 - 675

Mobile: +32 495 296 931

E-mail: Luc-Sneyders@exmore.com

www.exmore.com



EXMORE

Making Industrial Standards Work